



MINA-GEAR™ GEARMOTORS

Mina-Gear™ Features	P-2
Application & Selection	P-3
Right-Angle Worm Gearmotors	
2100 Series AC & DC 6-40 In-Lbs Output Torque	P-4
2133 Series AC & DC 5-135 In-Lbs Output Torque	P-5
2400 Series Parallel Shaft Gearmotors	
Single Phase 115V 12-100 In-Lbs Output Torque	P-6
DC SCR 90V & 180V 10-100 In-Lbs Output Torque	P-7
Low Voltage (12V) 36-100 In-Lbs Output Torque	P-7
2500 Series Parallel Shaft Gearmotors	
Single Phase 115/230V 43-391 In-Lbs Output Torque	P-8
DC SCR 90V & 180V 27-353 In-Lbs Output Torque	P-9
Low Voltage (12V) 113-353 In-Lbs Output Torque	P-9
2600 Series Parallel Shaft Gearmotors	
Single Phase 115/230V 25-341 In-Lbs Output Torque	P-10
Three Phase 230/460V 55-320 In-Lbs Output Torque	P-10
DC SCR 90V & 180V 25-371 In-Lbs Output Torque	P-11
Low Voltage (12V) 155-341 In-Lbs Output Torque	P-11
2210 Series Size D Parallel Shaft Gearmotors & Reducers	
Single Phase	P-12
DC SCR 90V 52-858 In-Lbs Output Torque	P-12
56C Gear Drives 158-858 In-Lbs Output Torque	P-13
Shipping Weights	P-14



MINA-GEAR™

SUB-FRACTIONAL HP GEARMOTORS

Basic Specifications

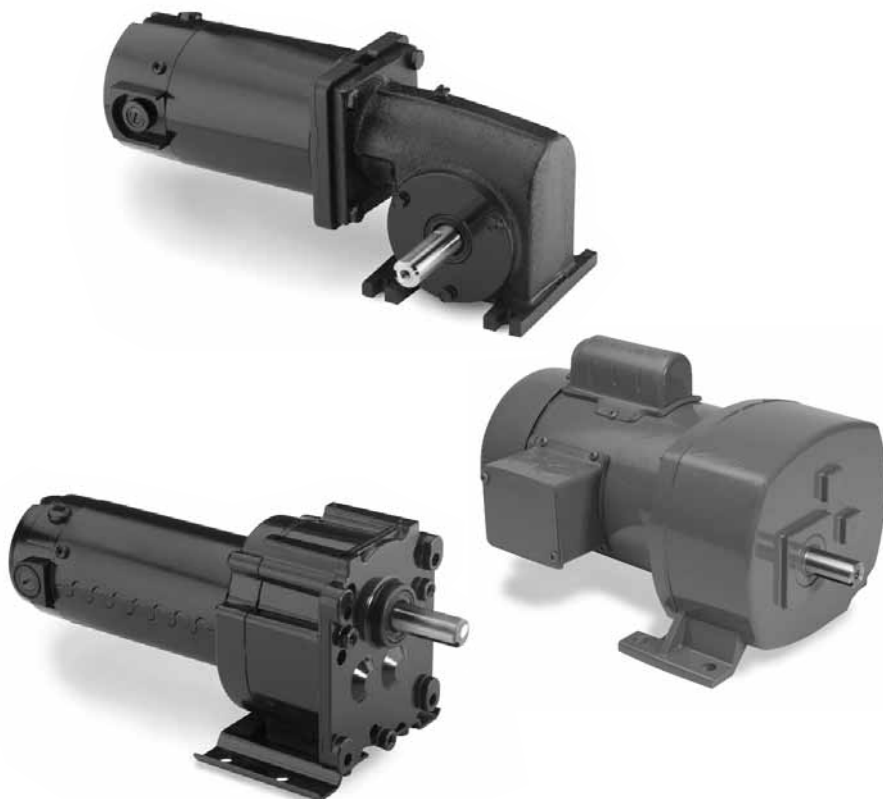
- Power Ratings from 1/40 to 3/4 hp
- Output torque to 1,175 inch/lbs
- Ratios from 5:1 through 900:1
- Output Speeds 2 rpm to 500 rpm
- AC or DC Motors

Standard Features

- Continuous Duty Motors for Long Service Life
- Aluminum Housings for Superior Thermal Conductivity
- High Strength alloy Case Hardened Gears for Greater Wear Life
- High Strength Alloy Shafting
- Precision Ball Bearings for Smooth and Quiet Performance
- Worm Gear Units Feature Hardened Steel Worm and Bronze Worm Gears
- Parallel Gearmotors Feature Steel Gearing
- Permanently Lubricated
- Dimensionally Interchangeable with Most Major Brands

Optional Features & Accessories

- Modified Designs
- Special Shaft Dimensions
- Conduit Boxes
- Mounting Brackets



For High Efficiency Concentric Gear Drives
See Poweratio® 2000 Helical InLine Units

Section I

For Compact Light Weight Aluminum
Worm Gear Drives See Spartan™ Worm
Gear Drives

Section C

Application & Selection

GENERAL

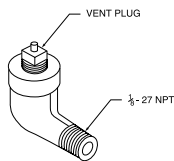
Hub City gearmotors and gear reducers are available in many ratios, sizes and motor combinations. These products provide an effective solution to many OEM and user applications. Hub City gearmotors are designed for mounting at any angle, however, mounting with the motor below the reducer should be avoided to prevent leakage of lubricant into the motor should the motor shaft seal fail.

MECHANICAL SPECIFICATIONS

Parallel Shaft gearboxes have rugged aluminum die cast housings for maximum gear and bearing support. Precision machined gearing is hardened for maximum load capacity. All gearing designed and rated to AGMA standards and to withstand momentary shock overload of 200%. Output bearings are oversized for greater overhung load capacity and longer life. High-carbon alloy output shaft provides maximum strength and rigidity. All needle bearing journals are precision-ground after heat treating, to provide maximum finish and fit. Heavy-duty industrial oil seals help keep lubricant in and dirt out. Gears and bearings are permanently lubricated with heavy-duty gear oil.

The worm-type right-angle gearing features a hardened, steel worm with bronze worm wheel for long life and quiet operation. Precision machined aluminum housings are used. Gearbox has all ball bearings. The housing is sealed and lubrication is permanent with an oil bath. The output shaft is field interchangeable from left hand style to right hand style by reassembly.

For optimum seal life, these right angle gearmotors have a lubrication breather positioned for horizontal mounting. For other mountings, the breather-plug must be reoriented by using a 90-1/8" NPT taper pipe elbow (see drawing). However, the motor portion of the gearmotor should never be mounted below the gearhead.



The motor's stall torque could exceed the recommended full load torques. If stalling does occur, gearhead damage may result, especially in the ratios of 60:1 and higher. Therefore, provisions to limit the torque are recommended. The torque values listed are the recommended full load torque values for reasonable gear life. This issue is even more critical for low voltage motors, where typically no controller is used since the motor is connected directly to the battery. Therefore, some type of current limit or fusing should be considered.

AC MOTORS

Single phase gearmotors, totally enclosed for continuous duty, general purpose applications. Permanent split capacitor designs are rated for 115/230VAC, 60/50 Hertz input, and have starting torques equal to the running torques.

SCR GEARMOTORS

Totally enclosed, permanent magnet DC gearmotors, performance matched for continuous duty service over a 60:1 speed range. All have constant torque throughout the range when powered by a full-wave unfiltered SCR-type adjustable speed control having a typical form factor of 1.3 to 1.4.

LOW VOLTAGE GEARMOTORS

Totally enclosed, permanent magnet DC gearmotors, performance matched for continuous duty. Motors are designed for battery power or can be used with a low voltage controller with form factor up to 1.05.

UNDERWRITERS LABORATORIES INC.

1. All motor models listed with prefix "C" have U.L. component recognition (without thermal overload). File Number E57948, Guide Number PRGY2.
2. Permanent Magnet DC motors 2600 Series and 2210 Series gearmotors have recognized components under File Number E57948, Guide Number PRGY2.
3. 2400 Series & 2500 Series Permanent Magnet DC gearmotors; File number E49849 or E49747, Guide Number PRGY2.

CANADIAN STANDARDS ASSOCIATION

1. Motor construction for all single and three phase sub-fractional horsepower motors: Report Number L33543, Guide Number 260-0-0.
2. Permanent Magnet DC motors are listed under File Number LR33543.

SELECTION

Hub City distributors and other sales personnel are available for selection assistance. For the most accurate selection the following information should be made available.

- Motor voltage and frequency
- Duty cycle
- Operating output speed and maximum speed if variable
- Torque requirements (starting and running)
- Mounting position
- Ambient temperature and other environment considerations
- Rotation required or reversing

INTERCHANGABILITY

Hub City parallel shaft gearmotors have dimensional interchangeability with the following competitive products:

- 2400 Series - Bodine D and Z
Bison 100
Baldor/Boehm PSS
Dayton many models.
- 2500 Series - Bison 224,242, and 300
Dayton many models.
- 2600 Series - Bodine E
Baldor/Boehm many models.
- 2210 Series - Bison 482 and 483
Dayton many models.

HUB CITY MINA-GEAR™

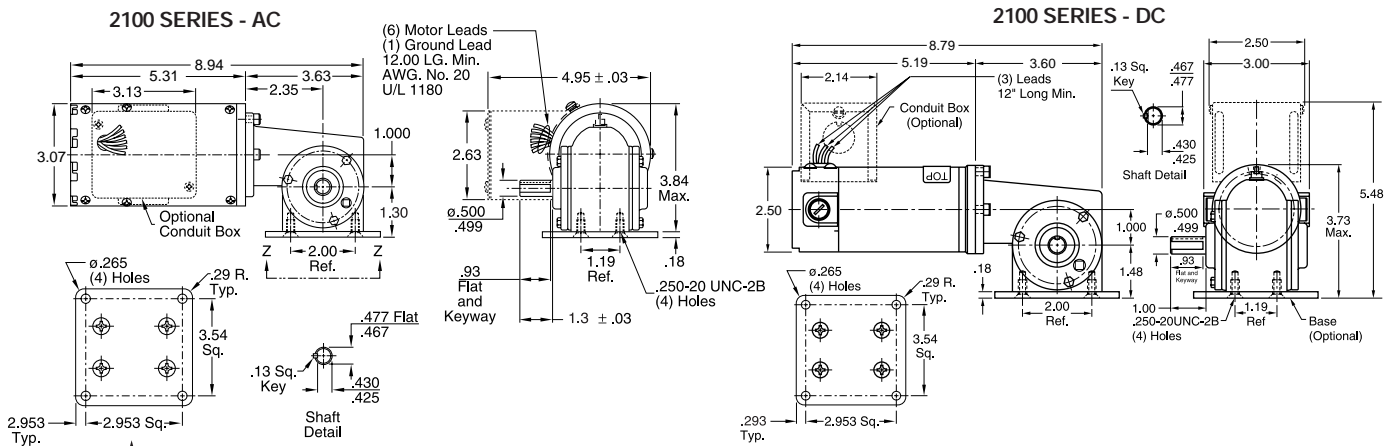
2100 Series Right-Angle Gearmotors

Features

- ◆ Hardened Steel Worm
- ◆ Bronze Worm Gear
- ◆ Precision Machined Aluminum Housings
- ◆ Precision Ball Bearings
- ◆ Permanent Oil Bath Lubrication
- ◆ AC Motors Supplied with Continuous Duty "Run" Capacitor
- ◆ Field Installed Conduit Boxes Available
- ◆ Breather Positioned for Horizontal Shaft Mounting Worm Top. For Other Mountings See Page P-3.



**Direct Interchange
with Bodine/Dayton**



Base Optional - Order Kit #58-05025

UNITS ARE FACTORY FILLED WITH LUBRICANT.
FOR IMPORTANT INSTALLATION INFORMATION
REFER TO SECTION R (Pages R-2 to R-4)

AC • TENV 115/230 V • SINGLE PHASE

CONDUIT BOX KIT 58-05029

Ratio to 1	Gearmotor Part Number	Output RPM	Input HP	F.L. Torque (Lb.in.)	Over-hung Load (Lb.)	F.L. Amps 115V AC	250 Vac Capacitor Mfd.	Frame
60	50-5005158	28	1/15	37	185	0.9	10.0	31
40	50-5005157	43	1/15	34	185	0.9	10.0	31
30	50-5005156	58	1/15	40	185	0.9	10.0	31
20	50-5005155	85	1/15	24	185	0.9	10.0	31
10	50-5005154	173	1/15	14	185	0.9	10.0	31

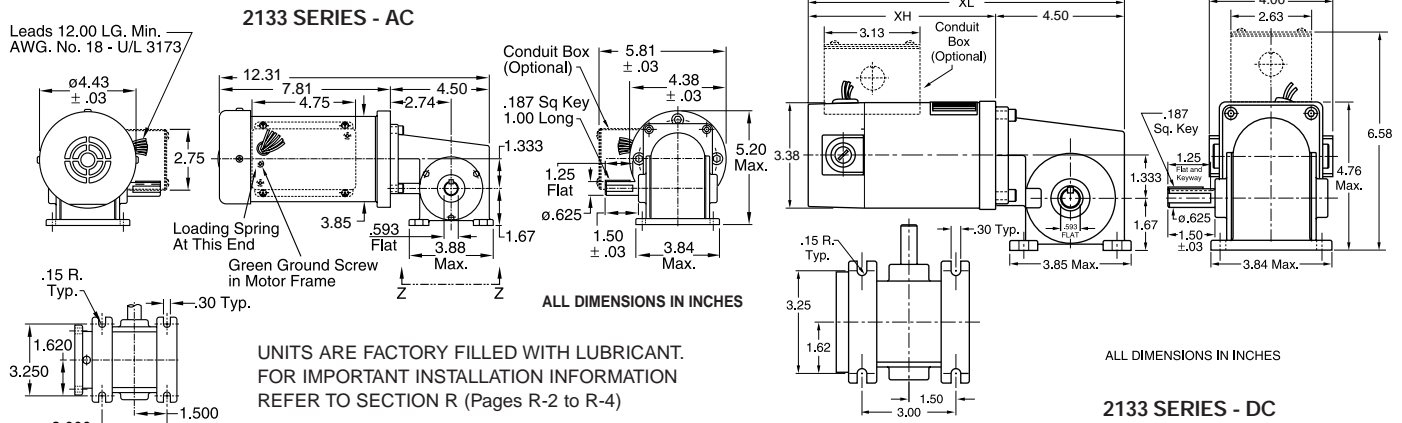
DC • SCR RATED • TENV • 1.0 SERVICE FACTOR

CONDUIT BOX KIT 58-05026

Ratio to 1	Gearmotor Part Number	Output RPM	Input HP	F.L. Torque (In.-Lbs.)	Over-hung Load (Lbs.)	Arm Volts DC	Full Load Amps. DC	Frame
60	50-5005143	42	1/17	30	185	90	0.68	25
40	50-5005142	62	1/17	35	185	90	0.68	25
20	50-5005141	125	1/17	20	185	90	0.68	25
10	50-5005140	250	1/17	11	185	90	0.68	25
5	50-5005139	500	1/17	6	185	90	0.68	25

Certified prints are available upon request

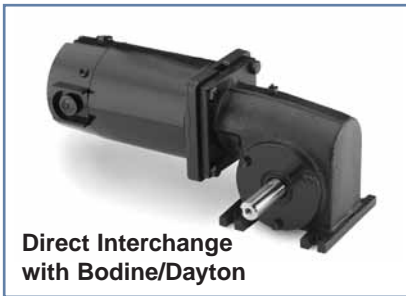
2133 Series Right-Angle Gearmotors



UNITS ARE FACTORY FILLED WITH LUBRICANT.
FOR IMPORTANT INSTALLATION INFORMATION
REFER TO SECTION R (Pages R-2 to R-4)

AC • TEFC • 115/230V • SINGLE PHASE

CONDUIT BOX KIT 58-05028



Direct Interchange with Bodine/Dayton

Ratio to 1	Gearmotor Part Number	Output RPM	Input HP	F.L. Torque (Lb.in.)	Overhung Load (Lb.)	F.L. Amps 115V AC	300 Vac Capacitor Mfd.	Frame
60	50-5005246	29	1/6	110	235	2.0	15.0	38
40	50-5005245	43	1/6	113	235	2.0	15.0	38
30	50-5005244	57	1/6	95	235	2.0	15.0	38
20	50-5005243	83	1/6	75	235	2.0	15.0	38
10	50-5005242	170	1/6	43	235	2.0	15.0	38
5	50-5005241	340	1/6	23	235	2.0	15.0	38

Features

- ◆ Hardened Steel Worm
- ◆ Bronze Worm Gear
- ◆ Precision Machined Aluminum Housings
- ◆ Precision Ball Bearings
- ◆ Permanent Oil Bath Lubrication
- ◆ AC Motors supplied with Continuous Duty "Run" Capacitor
- ◆ Field Installed Conduit Boxes Available
- ◆ Breather Positioned for Horizontal Shaft Mounting Worm Top. For Other Mountings See Page P-3.

DC • SCR RATED • TENV • 1.0 SERVICE FACTOR

CONDUIT BOX KIT 58-05027

Ratio to 1	Gearmotor Part Number	Output RPM	Input HP	F.L. Torque (In.-Lbs.)	Overhung Load (Lbs.)	Arm Volts DC	F.L. Amps. DC	Dimensions XL	Dimensions XH	Frame
60	50-5005173	42	1/12	30	235	180	0.53	9.64	5.14	34
40	50-5005172	62	1/12	35	235	180	0.53	9.64	5.14	34
20	50-5005171	125	1/12	18	235	180	0.53	9.64	5.14	34
10	50-5005170	250	1/12	10	235	180	0.53	9.64	5.14	34
5	50-5005169	500	1/12	5	235	180	0.53	9.64	5.14	34
60	50-5005178	42	1/8	80	235	90	1.40	10.64	6.14	34
40	50-5005177	62	1/8	70	235	90	1.40	10.64	6.14	34
40	50-5005182	62	1/8	70	235	180	0.70	10.64	6.14	34
20	50-5005176	125	1/8	45	235	90	1.40	10.64	6.14	34
20	50-5005181	125	1/8	45	235	180	0.70	10.64	6.14	34
10	50-5005175	250	1/8	25	235	90	1.40	10.64	6.14	34
10	50-5005180	250	1/8	25	235	180	0.70	10.64	6.14	34
5	50-5005174	500	1/8	13	235	90	1.40	10.64	6.14	34
5	50-5005179	500	1/8	13	235	180	0.70	10.64	6.14	34
40	50-5005187	62	1/4	135	235	90	2.30	12.64	8.14	34
40	50-5005192	62	1/4	135	235	180	1.30	12.64	8.14	34
30	50-5005186	83	1/4	125	235	90	2.30	12.64	8.14	34
30	50-5005191	83	1/4	125	235	180	1.30	12.64	8.14	34
20	50-5005185	125	1/4	90	235	90	2.30	12.64	8.14	34
20	50-5005190	125	1/4	90	235	180	1.30	12.64	8.14	34
10	50-5005188	250	1/4	50	235	90	2.30	12.64	8.14	34
10	50-5005189	250	1/4	50	235	180	1.30	12.64	8.14	34
5	50-5005183	500	1/4	30	235	90	2.30	12.64	8.14	34
5	50-5005188	500	1/4	30	235	180	1.30	12.64	8.14	34

DC • LOW VOLTAGE (12V) • TENV • 1.0 SERVICE FACTOR

CONDUIT BOX KIT 58-05027

Ratio to 1	Gearmotor Part Number	Output RPM	Input HP	F.L. Torque (In.-Lbs.)	Overhung Load (Lbs.)	Arm Volts DC	F.L. Amps. DC	Dimensions XL	Dimensions XH	Frame
60	50-5005262	42	1/8	80	235	12	11.0	10.39	5.89	34
10	50-5005259	250	1/8	25	235	12	11.0	10.39	5.89	34
40	50-5005261	62	1/4	135	235	12	21.0	12.64	8.14	34
20	50-5005260	125	1/4	90	235	12	21.0	12.64	8.14	34

Certified prints are available upon request

HUB CITY MINA-GEAR™

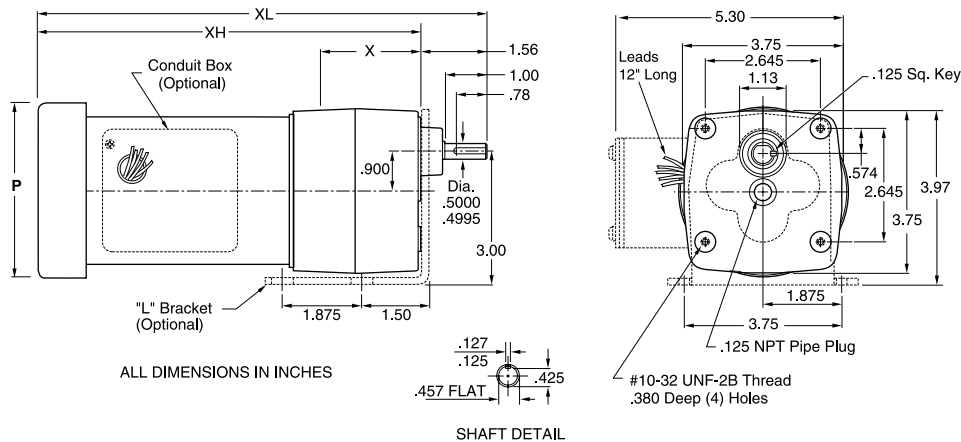
2400 Series Parallel Shaft AC Gearmotors

Features

- ◆ Precision Machined Steel Gearing
- ◆ First Stage Helical Gearing
- ◆ Hardened Steel Shafting
- ◆ Heavy Duty Gear Oil Provides Permanent Lubrication
- ◆ Needle Bearings on Output Shaft
- ◆ Optional "L" Bracket Available - Order Kit #58-05023
- ◆ Optional Conduit Box Available
- ◆ Totally Enclosed Continuous Duty Motor Ratings for General Applications
- ◆ Supplied with Continuous Duty "Run" Capacitor
- ◆ Mounting Interchangeable with Bodine Model D & Z, Bison 100 and Balder/Boehm PSS



UNITS ARE FACTORY FILLED WITH LUBRICANT.
FOR IMPORTANT INSTALLATION INFORMATION
REFER TO SECTION R (Pages R-2 to R-4)



2400 SERIES AC GEARMOTORS PARALLEL SHAFT • TEFC • 115V • SINGLE PHASE 40°C AMBIENT • 1.0 SERVICE FACTOR

CONDUIT BOX KIT 58-05029

Ratio to 1	Gearmotor Part Number	Model	Output RPM	Input HP	F.L. Torque (Lb.in.)	Overhung Load (Lb.)	F.L. Amps 115 VAC	Capacitor Mfd. 240 VAC	P	DIMENSIONS			Frame
										X Inches	XL	XH	
900	50-5000832#	2415	2	1/50	100	155	0.4	3.0	3.07	3.23	8.71	7.15	31
180	50-5000833	2414	9	1/15	100	155	0.9	10.0	3.88	3.23	10.42	8.86	31
90	50-5000834	2414	19	1/15	100	155	0.9	10.0	3.88	3.23	10.42	8.86	31
60	50-5000835	2413	28	1/15	100	155	0.9	10.0	3.88	2.43	9.62	8.06	31
30	50-5000836	2413	57	1/15	56	171	0.9	10.0	3.88	2.43	9.62	8.06	31
18	50-5000837	2413	94	1/15	36	171	0.9	10.0	3.88	2.43	9.62	8.06	31
12	50-5000838	2412	142	1/15	24	180	0.9	10.0	3.88	2.13	9.32	7.76	31
6	50-5000839	2412	283	1/15	12	180	0.9	10.0	3.88	2.13	9.32	7.76	31

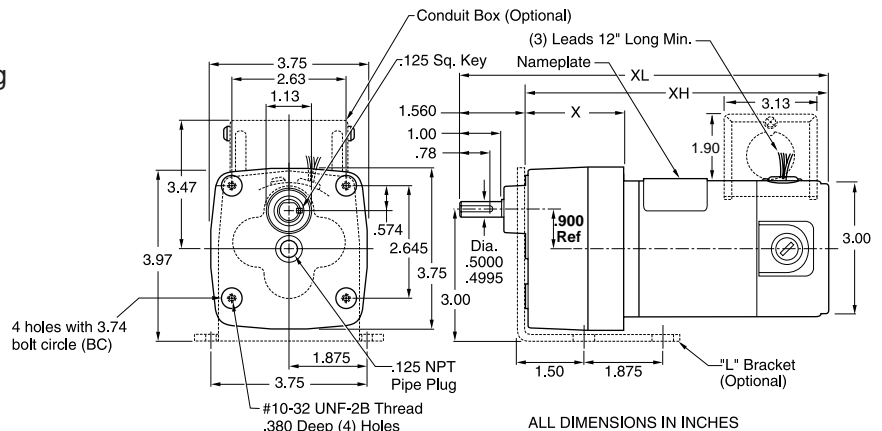
TENV enclosure
Overhung Load Capacity at Center of Shaft Extension

Certified prints are available upon request

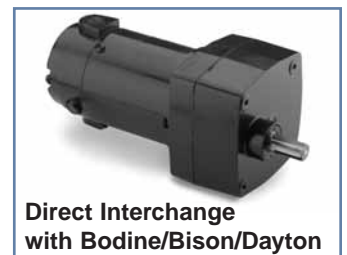
2400 Series Parallel Shaft DC Gearmotors

Features

- ◆ Precision Machined Steel Gearing
- ◆ First Stage Helical Gearing
- ◆ Hardened Steel Shafting
- ◆ Heavy Duty Gear Oil Provides Permanent Lubrication
- ◆ Needle Bearings on Output Shaft
- ◆ Optional "L" Bracket Available - Order Kit #58-05023
- ◆ Optional Conduit Box Available
- ◆ Totally Enclosed Continuous Duty Motor Ratings Over a 60:1 Speed Range
- ◆ Mounting Interchangeable with Bodine Model D & Z, Bison 100 and Balder/Boehm PSS



UNITS ARE FACTORY FILLED WITH LUBRICANT. FOR IMPORTANT INSTALLATION INFORMATION REFER TO SECTION R (Pages R-2 to R-4)



2400 SERIES DC • SCR RATED PARALLEL SHAFT • TENV • 1.0 SERVICE FACTOR

CONDUIT BOX KIT 58-05029

Ratio to 1	Gearmotor Part Number	Model	Output RPM	Input HP	F.L. Torque (Lb.In.)	Over-hung Load (Lb.)	Arm. Volts DC	F.L. Amps DC	DIMENSIONS			Frame
									X	XL Inches	XH	
450	50-5000840	2415	4	1/40	40	155	90	0.46	3.25	9.28	7.72	30
450	50-5000841	2415	4	1/40	40	155	180	0.19	3.25	9.30	7.74	30
180	50-5000842	2414	10	1/20	100	155	90	0.54	3.25	9.28	7.72	30
180	50-5000843	2414	10	1/20	100	155	180	0.31	3.25	9.30	7.74	30
90	50-5000844	2414	20	1/20	100	155	90	0.54	3.25	9.28	7.72	30
90	50-5000845	2414	20	1/20	100	155	180	0.31	3.25	9.30	7.74	30
60	50-5000846	2413	30	1/17	100	155	90	0.80	2.68	8.74	7.18	30
60	50-5000847	2413	30	1/17	100	155	180	0.36	2.68	8.74	7.18	30
30	50-5000848	2413	60	1/17	56	171	90	0.80	2.68	8.74	7.18	30
30	50-5000849	2413	60	1/17	56	171	180	0.36	2.68	8.74	7.18	30
18	50-5000850	2413	100	1/17	36	171	90	0.80	2.68	8.74	7.18	30
18	50-5000851	2413	100	1/17	36	171	180	0.36	2.68	8.74	7.18	30
12	50-5000852	2412	150	1/17	24	180	90	0.80	2.40	8.46	6.90	30
12	50-5000853	2412	150	1/17	24	180	180	0.36	2.40	8.46	6.90	30
6	50-5000854	2412	300	1/17	10	180	90	0.80	2.40	8.46	6.90	30
6	50-5000855	2412	300	1/17	10	180	180	0.36	2.40	8.46	6.90	30

2400 SERIES DC • LOW VOLTAGE (12V) PARALLEL SHAFT • TENV • 1.0 SERVICE FACTOR

CONDUIT BOX KIT 58-05029

Ratio to 1	Gearmotor Part Number	Model	Output RPM	Input HP	F.L. Torque (Lb.In.)	Over-hung Load (Lb.)	Arm. Volts DC	F.L. Amps DC	DIMENSIONS			Frame
									X	XL Inches	XH	
180	50-5000856	2414	10	1/20	100	155	12	2.7	3.25	9.28	7.72	30
60	50-5000857	2413	30	1/17	100	155	12	5.2	2.68	8.74	7.18	30
30	50-5000858	2413	55	1/17	56	171	12	5.6	2.68	8.74	7.18	30
18	50-5000859	2413	90	1/17	36	171	12	5.8	2.68	8.74	7.18	30

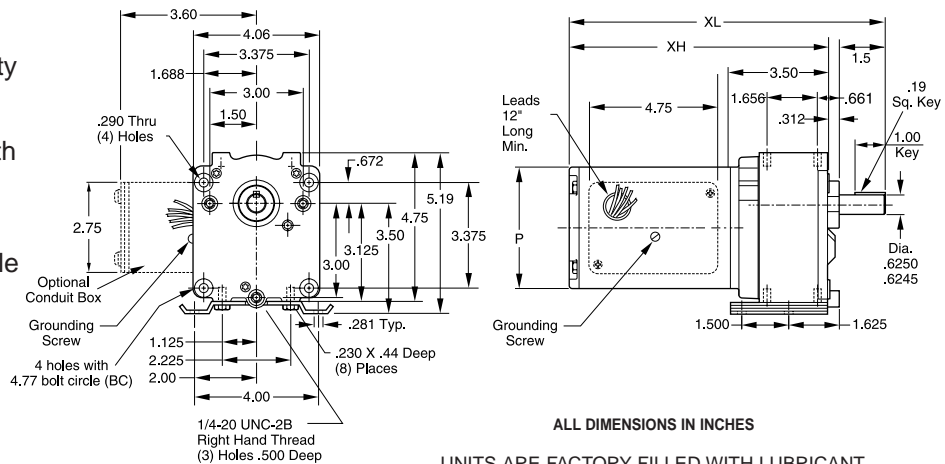
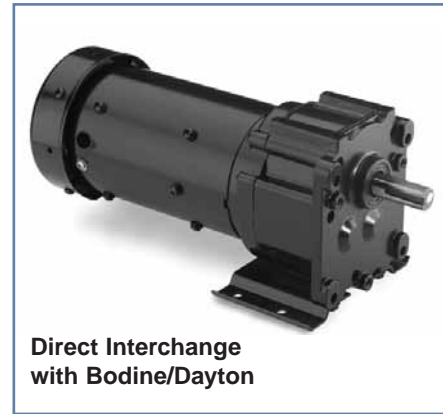
Certified prints are available upon request

HUB CITY MINA-GEAR™

2500 Series Parallel Shaft AC Gearmotors

Features

- ◆ Precision Machined Steel Gearing
- ◆ First Stage Helical Gearing
- ◆ Hardened Steel Shafting
- ◆ Heavy Duty Gear Oil Provides Permanent Lubrication
- ◆ Needle Bearings on Output Shaft
- ◆ Continuous Duty Motor Ratings for General Applications
- ◆ Permanent Split Capacitor Motors for Equal Start & Run Torque
- ◆ Supplied with Continuous Duty "Run" Capacitor
- ◆ Mounting Interchangeable with Bison 224, 242 and Many Dayton Designs
- ◆ Optional Conduit Box Available



2500 SERIES AC GEARMOTORS
PARALLEL SHAFT • TOTALLY ENCLOSED • 115/230V
SINGLE PHASE • 40°C AMBIENT • 1.0 SERVICE FACTOR

CONDUIT BOX KIT 58-05028

Ratio to 1	Gearmotor Part Number	Model	Output RPM	Input HP	F.L. Torque (Lb.in.)	Over-hung Load (Lb.)	F.L. Amps 115V AC	Capacitor Mfd. 240 VAC	DIMENSIONS			Frame
									P	XL Inches	XH	
216	50-5000860	2513	8	1/15	345	491	1.0	7.5	3.85	10.46	8.96	38
114	50-5000861	2513	15	1/15	250	407	1.0	7.5	3.85	10.46	8.96	38
103	50-5000862	2513	16	1/6**	391	399	2.1	15.0	4.43	12.13	10.63	38
52	50-5000863	2512	30	1/15	135	330	1.0	7.5	3.85	10.46	8.96	38
58	50-5000864	2512	30	1/6**	295	330	2.1	15.0	4.43	12.13	10.63	38
43	50-5000865	2512	40	1/6**	219	303	2.1	15.0	4.43	12.13	10.63	38
35	50-5000866	2512	45	1/15	92	292	1.0	7.5	3.85	10.46	8.96	38
29	50-5000867	2512	60	1/6**	157	268	2.1	15.0	4.43	12.13	10.63	38
23	50-5000868	2512	70	1/15	61	256	1.0	7.5	3.85	10.46	8.96	38
19	50-5000869	2512	90	1/6**	103	237	2.1	15.0	4.43	12.13	10.63	38
16.5	50-5000870	2512	97	1/15	43	232	1.0	7.5	3.85	10.46	8.96	38
11.5	50-5000871	2512	139	1/15	30	208	1.0	7.5	3.85	10.46	8.96	38
10.6	50-5000872	2512	156	1/6**	60	201	2.1	15.0	4.43	12.13	10.63	38

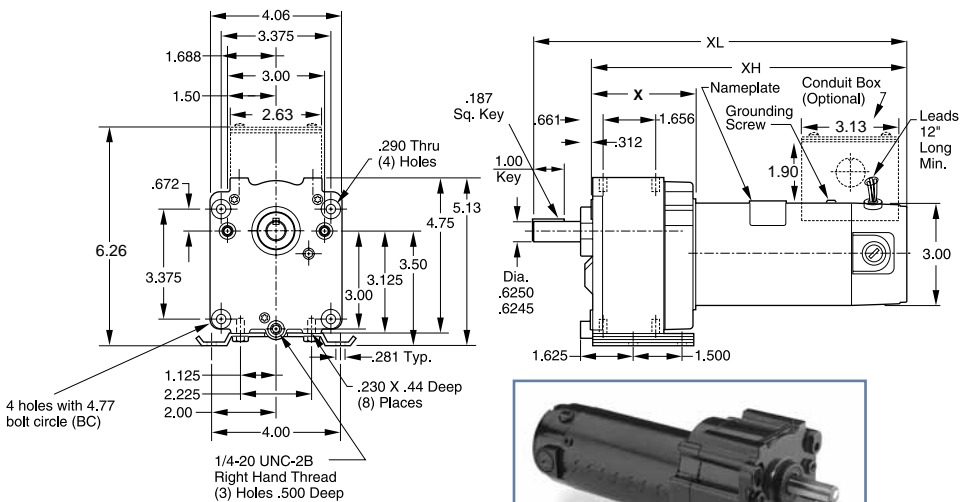
** TEFC enclosure.

Certified prints are available upon request

2500 Series Parallel Shaft DC Gearmotors

Features

- ◆ Precision Machined Steel Gearing
- ◆ First Stage Helical Gearing
- ◆ Hardened Steel Shafting
- ◆ Heavy Duty Gear Oil Provides Permanent Lubrication
- ◆ Needle Bearings on Output Shaft
- ◆ Continuous Duty Motor Ratings for Over a 60:1 Speed Range
- ◆ Mounting Interchangeable with Bison 224, 242 and Many Dayton Designs
- ◆ Optional Conduit Box Available



UNITS ARE FACTORY FILLED WITH LUBRICANT.
FOR IMPORTANT INSTALLATION INFORMATION
REFER TO SECTION R (Pages R-2 to R-4)



Direct Interchange with Bodine/Dayton

2500 SERIES DC • SCR RATED PARALLEL SHAFT • TENV • 1.0 SERVICE FACTOR

CONDUIT BOX KIT 58-05029

Ratio to 1	Gearmotor Part Number	Model	Output RPM	Input HP	F.L. Torque (Lb.in.)	Over-hung Load (Lb.)	Arm. Volts DC	F.L. Amps. DC	DIMENSIONS			Frame
									X	XL Inches	XH	
336	50-5000873	2513	5	1/20	353	565	90	0.54	3.85	10.07	8.57	30
216	50-5000874	2513	9	1/20	268	474	90	0.54	3.85	10.07	8.57	30
103	50-5000875	2513	18	1/20	150	385	90	0.54	3.85	10.07	8.57	30
76	50-5000876	2513	24	1/8	280	353	90	1.30	3.54	11.54	10.04	30
58	50-5000877	2513	31	1/8	220	327	90	1.30	3.54	11.54	10.04	30
58	50-5000878	2513	31	1/8	220	327	180	0.66	3.54	11.54	10.04	30
52	50-5000879	2513	34	1/20	82	318	90	0.54	3.85	10.07	8.57	30
35	50-5000880	2512	51	1/8	130	277	90	1.30	3.54	11.54	10.04	30
35	50-5000881	2512	51	1/8	130	277	180	0.66	3.54	11.54	10.04	30
35	50-5000882	2512	51	1/20	55	281	90	0.54	3.85	10.07	8.57	30
29	50-5000883	2512	61	1/8	113	267	90	1.30	3.54	11.54	10.04	30
29	50-5000884	2512	60	1/20	45	267	180	0.31	3.23	11.54	10.04	30
19	50-5000885	2512	94	1/8	77	236	90	1.30	3.54	11.54	10.04	30
19	50-5000886	2512	94	1/8	77	236	180	0.66	3.54	11.54	10.04	30
16	50-5000887	2512	109	1/20	27	224	90	0.54	3.85	10.07	8.57	30
16	50-5000888	2512	106	1/20	26	222	180	0.31	3.23	10.07	8.57	30
11	50-5000889	2512	167	1/8	43	197	90	1.30	3.54	11.54	10.04	30
11	50-5000890	2512	170	1/8	43	196	180	0.66	3.54	11.54	10.04	30

2500 SERIES DC • LOW VOLTAGE (12V) PARALLEL SHAFT • TENV • 1.0 SERVICE FACTOR

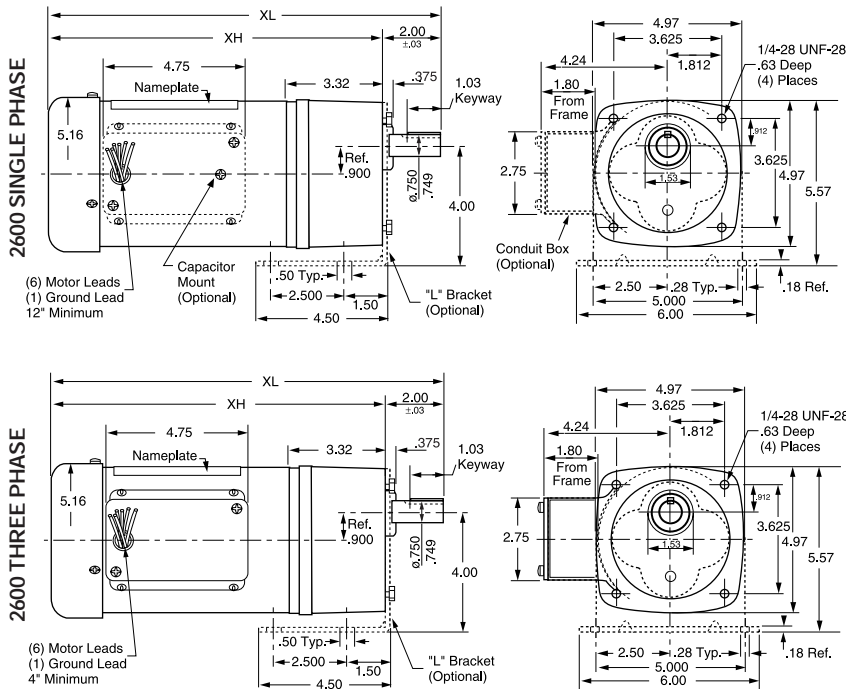
CONDUIT BOX KIT 58-05029

Ratio to 1	Gearmotor Part Number	Model	Output RPM	Input HP	F.L. Torque (Lb.in.)	Over-hung Load (Lb.)	Arm. Volts DC	F.L. Amps. DC	DIMENSIONS			Frame
									X	XL Inches	XH	
336	50-5000891	2513	5	1/20	353	565	12	5.6	3.85	10.07	8.57	30
58	50-5000892	2513	31	1/8	220	327	12	10.6	3.54	11.54	10.04	30
35	50-5000893	2512	51	1/8	130	277	12	10.3	3.23	11.54	10.04	30
29	50-5000894	2512	61	1/8	113	267	12	10.4	3.23	11.54	10.04	30

Certified prints are available upon request

HUB CITY MINA-GEAR™

2600 Series Parallel Shaft AC Gearmotors



Features

- ◆ AGMA Class 9 Hardened Gearing for Maximum Load Capacity
- ◆ Hardened Steel Shafting
- ◆ Rugged Die Cast Aluminum Housing for Maximum Gear & Bearing Support
- ◆ Splash Lubrication with Permanent Heavy Duty Gear Oil
- ◆ Supplied with Continuous Duty "Run" Capacitor
- ◆ Optional "L" Bracket Available - Order Kit #58-05024

**CONDUIT BOX
KIT 58-05028**

2600 SERIES AC GEARMOTORS • SINGLE PHASE • PARALLEL SHAFT • TEFC • 115/230V

Ratio to 1	Gearmotor Part Number	Model	Output RPM	Input HP	F.L. Torque (Lb.in.)	Overhung Load Lbs.	F.L. Amps 115V AC	Capacitor Mfd. 240VAC	DIMENSIONS		
									XL Inches	XH Inches	Frame
336	50-5000895	2613	5	1/12	310	565	1.3	10.0	11.36	9.36	42
180	50-5000896	2613	9	1/12	341	491	1.3	10.0	11.36	9.36	42
124	50-5000897	2613	14	1/12	330	459	1.3	10.0	11.36	9.36	42
91	50-5000898	2613	19	1/12	250	374	1.3	10.0	11.36	9.36	42
58	50-5000899	2613	29	1/6	270	327	3.2	15.0	13.32	11.32	42
50	50-5000900	2613	34	1/6	250	330	3.2	15.0	13.32	11.32	42
43	50-5000901	2613	40	1/6	180	303	3.2	15.0	13.32	11.32	42
29	50-5000902	2612	59	1/6	135	267	3.2	15.0	13.32	11.32	42
23	50-5000903	2612	75	1/6	90	256	3.2	15.0	13.32	11.32	42
15	50-5000904	2612	113	1/6	68	222	3.2	15.0	13.32	11.32	42
10	50-5000905	2612	160	1/6	45	196	3.2	15.0	13.32	11.32	42
5	50-5000906	2612	340	1/6	25	190	3.2	15.0	13.32	11.32	42

Hi-Torque Single Phase 2600 Gearmotors With Capacitor Start Motors

30	50-5000907	2613	58	1/3	320	300	7.2	...	14.56	12.56	42
20	50-5000908	2612	85	1/3	218	300	7.2	...	14.56	12.56	42
10	50-5000909	2612	173	1/3	109	300	7.2	...	14.56	12.56	42
5	50-5000910	2612	345	1/3	55	300	7.2	...	14.56	12.56	42

TENV enclosure

2600 SERIES AC GEARMOTORS • THREE PHASE • PARALLEL SHAFT • TEFC • 230/460V

Ratio to 1	Gearmotor Part Number	Model	Output RPM	Input HP	F.L. Torque (Lb.in.)	Overhung Load Lbs.	F.L. Amps 230V AC	DIMENSIONS		
								XL Inches	XH Inches	Frame
30	50-5000911	2613	58	1/3	320	300	1.6	13.81	11.81	42
20	50-5000912	2612	85	1/3	218	300	1.6	13.81	11.81	42
10	50-5000913	2612	173	1/3	109	300	1.6	13.81	11.81	42
5	50-5000914	2612	345	1/3	55	300	1.6	13.81	11.81	42

UNITS ARE FACTORY FILLED WITH LUBRICANT.
FOR IMPORTANT INSTALLATION INFORMATION
REFER TO SECTION R (Pages R-2 to R-4)

Certified prints are available upon request

P-10

CALL: (605) 225-0360



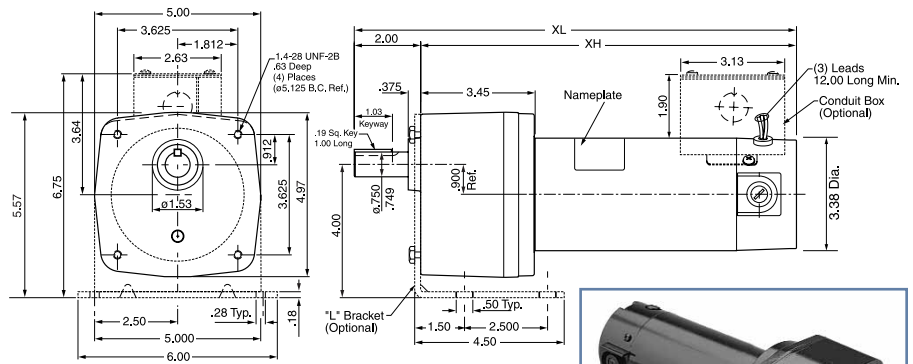
FAX: (605) 225-0567

VISIT OUR WEB SITE AT WWW.CLARKTR.COM

2600 Series Parallel Shaft DC Gearmotors

Features

- ◆ AGMA Class 9 Hardened Gearing for Maximum Load Capacity
- ◆ Hardened Steel Shafting
- ◆ Rugged Die Cast Aluminum Housing for Maximum Gear & Bearing Support
- ◆ Splash Lubrication with Permanent Heavy Duty Gear Oil
- ◆ Continuous Duty Motor Ratings for Over a 60:1 Speed Range
- ◆ Optional "L" Bracket Available - Order Kit #58-05024
- ◆ Optional Conduit Box Available



ALL DIMENSIONS IN INCHES

UNITS ARE FACTORY FILLED WITH LUBRICANT.
FOR IMPORTANT INSTALLATION INFORMATION
REFER TO SECTION R (Pages R-2 to R-4)



Direct Interchange with Bodine

2600 SERIES DC • SCR RATED PARALLEL SHAFT • TENV • 1.0 SERVICE FACTOR

CONDUIT BOX KIT 58-05027

Ratio to 1	Gearmotor Part Number	Model	Output RPM	Input HP	F.L. Torque (Lb.in.)	Overhung Load Lbs.	Arm Volts DC	F.L. Amps DC	DIMENSIONS		Frame
									XL Inches	XH Inches	
336	50-5000915	2613	7	1/8	330	565	90	0.70	11.31	9.31	34
336	50-5000916	2613	7	1/8	330	565	180	0.35	11.31	9.31	34
180	50-5000917	2613	14	1/8	341	465	90	1.00	11.31	9.31	34
180	50-5000918	2613	14	1/8	341	465	180	0.50	11.31	9.31	34
124	50-5000919	2613	21	1/4	371	413	90	1.10	13.31	11.31	34
124	50-5000920	2613	21	1/4	371	413	180	0.55	13.31	11.31	34
91	50-5000921	2613	27	1/4	305	374	90	1.50	13.31	11.31	34
91	50-5000922	2613	27	1/4	305	374	180	0.75	13.31	11.31	34
58	50-5000923	2613	42	1/4	280	327	90	2.30	13.31	11.31	34
58	50-5000924	2613	42	1/4	280	327	180	1.20	13.31	11.31	34
50	50-5000925	2613	50	1/4	250	315	90	2.30	13.31	11.31	34
50	50-5000926	2613	50	1/4	250	315	180	1.20	13.31	11.31	34
43	50-5000927	2613	62	1/4	220	303	90	2.30	13.31	11.31	34
43	50-5000928	2613	62	1/4	220	303	180	1.20	13.31	11.31	34
29	50-5000929	2612	83	1/4	155	267	90	2.30	13.31	11.31	34
29	50-5000930	2612	83	1/4	155	267	180	1.20	13.31	11.31	34
23	50-5000931	2612	125	1/4	100	256	90	2.00	13.31	11.31	34
23	50-5000932	2612	125	1/4	100	256	180	1.00	13.31	11.31	34
15	50-5000933	2612	165	1/4	70	232	90	2.00	13.31	11.31	34
15	50-5000934	2612	165	1/4	70	232	180	1.00	13.31	11.31	34
10	50-5000935	2612	250	1/4	45	201	90	2.00	13.31	11.31	34
10	50-5000936	2612	250	1/4	45	201	180	1.00	13.31	11.31	34
5	50-5000937	2612	500	1/4	25	194	90	2.00	13.31	11.31	34
5	50-5000938	2612	500	1/4	25	194	180	1.00	13.31	11.31	34

2600 SERIES DC • LOW VOLTAGE (12V) PARALLEL SHAFT • TENV • 1.0 SERVICE FACTOR

CONDUIT BOX KIT 58-05027

Ratio to 1	Gearmotor Part Number	Model	Output RPM	Input HP	F.L. Torque (Lb.in.)	Overhung Load Lbs.	Arm Volts DC	F.L. Amps DC	DIMENSIONS		Frame
									XL Inches	XH Inches	
180	50-5000939	2613	14	1/8	341	341	12	8.7	11.05	9.05	34
58	50-5000940	2613	42	1/4	325	327	12	21.0	13.31	11.31	34
43	50-5000941	2613	62	1/4	220	303	12	21.0	13.31	11.31	34
29	50-5000942	2612	83	1/4	155	267	12	21.0	13.31	11.31	34

Certified prints are available upon request

HUB CITY MINA-GEAR™

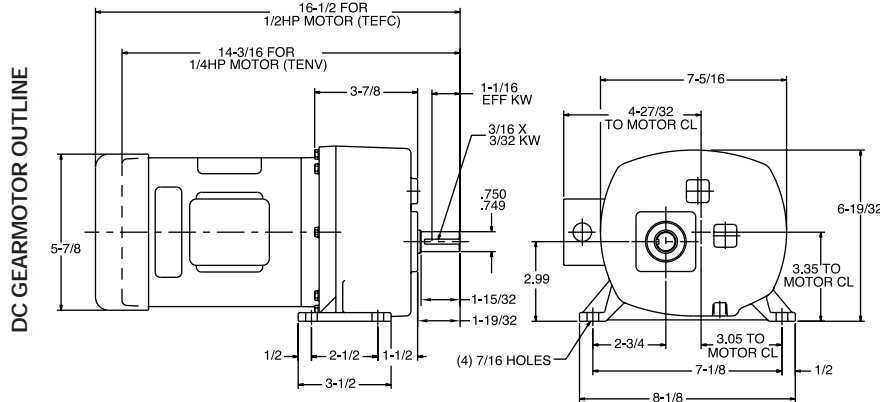
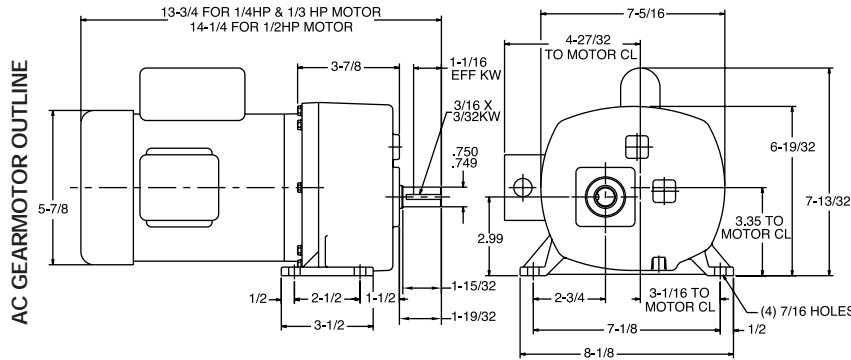
2210 Series Gearmotors



Direct Interchange with Bison

Features

- ◆ Interchangeable with Bison Models 482 and 483, and many Dayton brand gear motors
- ◆ Motors are totally enclosed, equipped with ball bearings and rated for continuous duty
- ◆ Torque from 150 to 1140 inch lbs.
- ◆ Ratios from 6:1 to 206:1
- ◆ Horsepowers from 1/8 to 3/4
- ◆ AC or DC motors available
- ◆ AGMA Class 9 gearing for maximum torque capacity and quiet operation
- ◆ Rugged 380 aluminum die cast housing for maximum gear and bearing support
- ◆ Permanently lubricated
- ◆ Modified units available upon request



UNITS ARE FACTORY FILLED WITH LUBRICANT.
FOR IMPORTANT INSTALLATION INFORMATION
REFER TO SECTION R (Pages R-2 to R-4)

NOTE: When ordering a gearmotor, both gearhead and motor part numbers are required.

SIZE D GEARMOTORS

AC Motors Single Phase – Capacitor Start			DC Motors	
56-00352 Motor 1/4 HP 115/230V TEFC 60 HZ 5.4 Amps	56-00353 Motor 1/3 HP 115/230V TEFC 60 HZ 6.2 Amps	56-00354 Motor 1/2 HP 115/230V TEFC 60 HZ 8.8 Amps	56-00350 Motor 1/4 HP 90V P.M. TENV 2.7 Amps	56-00351 Motor 1/2 HP 90V P.M. TEFC 5.0 Amps

Exact Ratio	Model	Gearhead Number	Output RPM (1750 Input)	Output Torque	Output Torque	Output Torque	Output Torque	Output Torque	OHL Lbs.
5.989	2212	50-5000820	292	52	68	104	52	104	400
10.780	2212	50-5000821	162	93	123	186	93	186	500
13.091	2212	50-5000822	134	113	149	226	113	226	525
19.067	2212	50-5000823	92	164	217	328	164	328	575
28.106	2212	50-5000824	62	244	322	488	244	488	625
40.581	2212	50-5000825	43	352	464	704	352	704	650
54.733	2213	50-5000826	32	463	811	926	403	926	650
67.554	2213	50-5000827	26	570	752	1140	570	1140	650
77.628	2213	50-5000828	22	673	889		673		700
96.803	2213	50-5000829	18	823	1086		823		700
142.697	2213	50-5000830	12	1030			1030		700
206.030	2213	50-5000831	8	858			858		700

All torque values are in inch lbs.
These gear motors are designed for mounting in any position, except vertical shaft with motor below is not recommended

Certified prints are available upon request

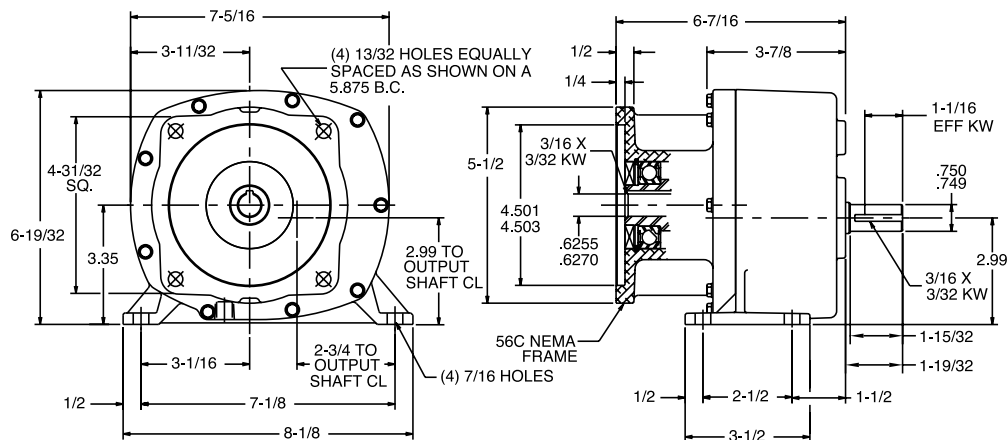
2210 Series 56C Geardrives



UNITS ARE FACTORY FILLED WITH LUBRICANT.
FOR IMPORTANT INSTALLATION INFORMATION
REFER TO SECTION R (Pages R-2 to R-4)

Features

- ◆ Mounting interchangeable with Bison Models 482 and 483, and many Dayton brand gear motors
- ◆ Torque from 150 to 1171 inch lbs.
- ◆ Ratios from 6:1 to 206:1
- ◆ Horsepowers from 1/8 to 3/4
- ◆ AC or DC motors available
- ◆ AGMA Class 9 gearing for maximum torque capacity and quiet operation
- ◆ Rugged 380 aluminum die cast housing for maximum gear and bearing support
- ◆ Permanently lubricated
- ◆ Modified units available upon request



SIZE D 56C GEARDRIVE

Exact Ratio	Model	Gear Box Assembly Number	Output RPM (1750 Input)	Output Torque @ 1750	HP @ 1750	OHL Lbs.
5.989	2212	50-5000796	292	158	.75	400
10.780	2212	50-5000797	162	284	.75	500
13.091	2212	50-5000798	134	344	.75	525
19.067	2212	50-5000799	92	504	.75	575
28.106	2212	50-5000800	62	744	.75	625
40.581	2212	50-5000801	43	839	.60	650
54.733	2213	50-5000802	32	1171	.63	650
67.554	2213	50-5000803	26	1139	.50	650
77.628	2213	50-5000804	22	1022	.40	700
96.803	2213	50-5000805	18	1089	.33	700
142.697	2213	50-5000806	12	1030	.21	700
206.030	2213	50-5000807	8	858	.12	700

All torque values are in inch lbs.
These units are designed for mounting in any position, except vertical shaft with motor below is not recommended

Certified prints are available upon request

HUB CITY MINA-GEAR™

Shipping Weights

Standard Units			Weight
2100 Worm Gearmotors			
All Ratios	1/15 HP	AC	9 lbs.
All Ratios	1/17 HP	90v-DC	7 lbs.
Accessories: (Must be ordered separately)			
58-05025	Base Kit		1 lb.
58-05026	Conduit Box Kit		1 lb.
58-05029	Conduit Box Kit		1 lb.
2133 Worm Gearmotors			
All Ratios	1/6 HP	AC	16 lbs.
All Ratios	1/12 HP	180v-DC	10 lbs.
All Ratios	1/8 HP	90v-DC	10 lbs.
All Ratios	1/8 HP	180v-DC	10 lbs.
All Ratios	1/4 HP	90v-DC	13 lbs.
All Ratios	1/4 HP	180v-DC	13 lbs.
All Ratios	1/8 HP	12v-DC	10 lbs.
All Ratios	1/4 HP	12v-DC	13 lbs.
Accessories: (Must be ordered separately)			
58-05027	Conduit Box Kit		1 lb.
58-05028	Conduit Box Kit		1 lb.
2400 Series Parallel Shaft Gearmotors			
2412	All Ratios	1/15 HP AC	9 lbs.
	All Ratios	1/17 HP 90v-DC	8 lbs.
	All Ratios	1/17 HP 180v-DC	8 lbs.
2413	All Ratios	1/15 HP AC	9 lbs.
	All Ratios	1/17 HP 90v-DC	7 lbs.
	All Ratios	1/17 HP 180v-DC	7 lbs.
	All Ratios	1/17 HP 12v-DC	7 lbs.
2414	All Ratios	1/15 HP AC	10 lbs.
	All Ratios	1/20 HP 90v-DC	6 lbs.
	All Ratios	1/20 HP 180v-DC	6 lbs.
	All Ratios	1/20 HP 12v-DC	6 lbs.
2415	All Ratios	1/15 HP AC	8 lbs.
	All Ratios	1/40 HP 90v-DC	6 lbs.
	All Ratios	1/40 HP 180v-DC	6 lbs.
Accessories: (Must be ordered separately)			
58-05023	"L" Bracket Kit		1 lb.
58-05029	Conduit Box Kit		1 lb.
2500 Series Parallel Shaft Gearmotors			
2512	All Ratios	1/15 HP AC	14 lbs.
	All Ratios	1/6 HP AC	16 lbs.
	All Ratios	1/20 HP 90v-DC	10 lbs.
	All Ratios	1/20 HP 180v-DC	10 lbs.
	All Ratios	1/8 HP 90v-DC	14 lbs.
	All Ratios	1/8 HP 180v-DC	14 lbs.
	All Ratios	1/8 HP 12v-DC	14 lbs.

Standard Units			Weight
2500 Series Parallel Shaft Gearmotors (cont'd)			
2513	All Ratios	1/15 HP AC	14 lbs.
	All Ratios	1/6 HP AC	16 lbs.
	All Ratios	1/20 HP 90v-DC	10 lbs.
	All Ratios	1/20 HP 12v-DC	10 lbs.
	All Ratios	1/8 HP 90v-DC	14 lbs.
	All Ratios	1/8 HP 180v-DC	14 lbs.
	All Ratios	1/8 HP 12v-DC	14 lbs.
Accessories: (Must be ordered separately)			
58-05028	Conduit Box Kit		1 lb.
58-05029	Conduit Box Kit		1 lb.
2600 Series Parallel Shaft Gearmotors			
2612	All Ratios	1/6 HP 1 ph AC	26 lbs.
	All Ratios	1/3 HP 1 ph AC	28 lbs.
	All Ratios	1/3 HP 3 ph AC	27 lbs.
	All Ratios	1/4 HP 90v-DC	16 lbs.
	All Ratios	1/4 HP 180v-DC	16 lbs.
	All Ratios	1/4 HP 12v-DC	16 lbs.
2613	All Ratios	1/12 HP 1 ph AC	21 lbs.
	All Ratios	1/6 HP 1 ph AC	26 lbs.
	All Ratios	1/3 HP 1 ph AC	28 lbs.
	All Ratios	1/3 HP 3 ph AC	27 lbs.
	All Ratios	1/8 HP 90v-DC	11 lbs.
	All Ratios	1/8 HP 180v-DC	11 lbs.
	All Ratios	1/8 HP 12v-DC	16 lbs.
	All Ratios	1/4 HP 90v-DC	16 lbs.
	All Ratios	1/4 HP 180v-DC	16 lbs.
	All Ratios	1/4 HP 12v-DC	16 lbs.
Accessories: (Must be ordered separately)			
58-05024	"L" Bracket Kit		1 lb.
58-05027	Conduit Box Kit		1 lb.
58-05028	Conduit Box Kit		1 lb.
2210 Series Parallel Shaft Gearmotors			
2212	All Ratios	1/4 HP 1 ph AC	28 lbs.
	All Ratios	1/3 HP 1 ph AC	30 lbs.
	All Ratios	1/2 HP 1 ph AC	32 lbs.
	All Ratios	1/4 HP 90v-DC	37 lbs.
	All Ratios	1/2 HP 90v-DC	40 lbs.
2213	All Ratios	1/4 HP 1 ph AC	29 lbs.
	All Ratios	1/3 HP 1 ph AC	31 lbs.
	All Ratios	1/2 HP 1 ph AC	33 lbs.
	All Ratios	1/4 HP 90v-DC	38 lbs.
	All Ratios	1/2 HP 90v-DC	41 lbs.
2210 Series 56C Parallel Shaft Gear Drives			
2212	All Ratios		13 lbs.
2213	All Ratios		14 lbs.